



Kawasaki Z 1000 (2007)

Slip-On Open/Street-Legal Exhaust System

Akrapovic Slip-On Open/Street-Legal Exhaust System

for the Kawasaki Z 1000 (2007)

The dynamic, bold looking roadster offers a great tuning platform for motorcyclists who desire something special. Our sporty and lightweight SLIP-ON systems offer a great balance between price and performance and represent the first step in the exhaust system tuning process.

The muffler outer sleeve is made of titanium or carbon-fiber, which gives a special hi-tech touch to our SLIP-ON system. We also offer an open and a street legal version.

PERFORMANCE

Measurements of the Akrapovic SLIP-ON system on the Kawasaki Z 1000 (without noise damper):

The Akrapovic SLIP-ON system will deliver a big power and torque increase from a simple modification. Power output is smoother over the entire rpm range. We measured a max. power increase of 3.0 HP at 10400 rpm. The torque is increased over the entire rpm range, which is exceptionally useful for more comfortable and smooth riding. With our SLIP-ON systems you will also save 7 kg in comparison with the stock mufflers.

CONFIGURATION

The SLIP-ON SERIES exhaust system has a 2-2 configuration and is composed of two main parts: a cylindrical stainless steel link pipe and a muffler which is available in carbon-fiber or titanium outer sleeve. The muffler interior is made entirely of titanium. The link pipes are attached to the header assembly with a sleeve joint, secured with a metal clamp. The link pipes and mufflers are connected with sleeve joint, secured with silicon shielded springs. The homologated version also include a catalytic converter to comply with all emission regulations.

	PERFORMANCE		
	stock	AKRAPOVIC	max. increased power
max. rear wheel power HP / rpm (measured on Dynojet ATV)	116.2 / 9835	117.6 / 9895	3 / 10400

	CONFIGURATION		
	header tubes	collector	link pipe
material	-	-	S.S.
tube shape	-	-	CYLINDRICAL

interference crossover tubes	-	lambda sensor	NO
header tube inner sleeves	-	header tube flanges	-
header tubes - collector connection	-	collector / header tube - link pipe connection	SLEEVE JOINT + STOCK METAL CLAMP+ SILICON SHIELDED SPRING
link pipe - muffler connection	SLEEVE JOINT + SILICON SHIELDED SPRING	muffler inlet cap /outlet cap	Ti / Carb.-fiber
muffler metal interior	Ti	muffler outer sleeve	Ti / Carb.-fiber
muffler clamp	CARBON-FIBER	muffler bracket	-
muffler insert	EU	YES(open&homol.)	heat shield
	US	-	catalytic converter
			YES(homolog.)

	ADDITIONAL DATA				
	stock	AKRAPOVIC		difference	
		S.S. link pipe	TITANIUM link pipe	stock - S.S.	stock - titanium
weight comparison (kg)	10.7	3.7	-	7	-
noise measurements (dB / rpm)	stock		AKRAPOVIC		
	91 / 5000		91 / 5000(homol.) ; 96 / 5000(open)		
possibility of periodic service without removing A.E.S.	oil		oil filter		
	YES		YES		
legal for street use	NO / YES				

Technical specifications of Akrapovic exhaust systems and related products subject to change without notice.

Product code: 108048 (S-K10SO3-ZC), 108047 (S-K10SO3-ZT) open
107880 (S-K10SO3C-HZC), 107727 (S-K10SO3C-HZT) street-legal

Akrapovic Slip-On Open/Street-Legal Exhaust System for the Kawasaki Z 1000 (2007)



CARBON-FIBER
MUFFLER CLAMP

Road
Program

Product code: 108048 (S-K10SO3-ZC), 108047 (S-K10SO3-ZT) open
107880 (S-K10SO3C-HZC), 107727 (S-K10SO3C-HZT) street-legal

Akrapovic Slip-On Open/Street-Legal Exhaust System for the Kawasaki Z 1000 (2007)



Akrapovic Exhaust System Technology copyright 2007, all rights reserved

Road
Program

Product code: 108048 (S-K10SO3-ZC), 108047 (S-K10SO3-ZT) open
107880 (S-K10SO3C-HZC), 107727 (S-K10SO3C-HZT) street-legal

Akrapovic Slip-On Open/Street-Legal Exhaust System for the Kawasaki Z 1000 (2007)

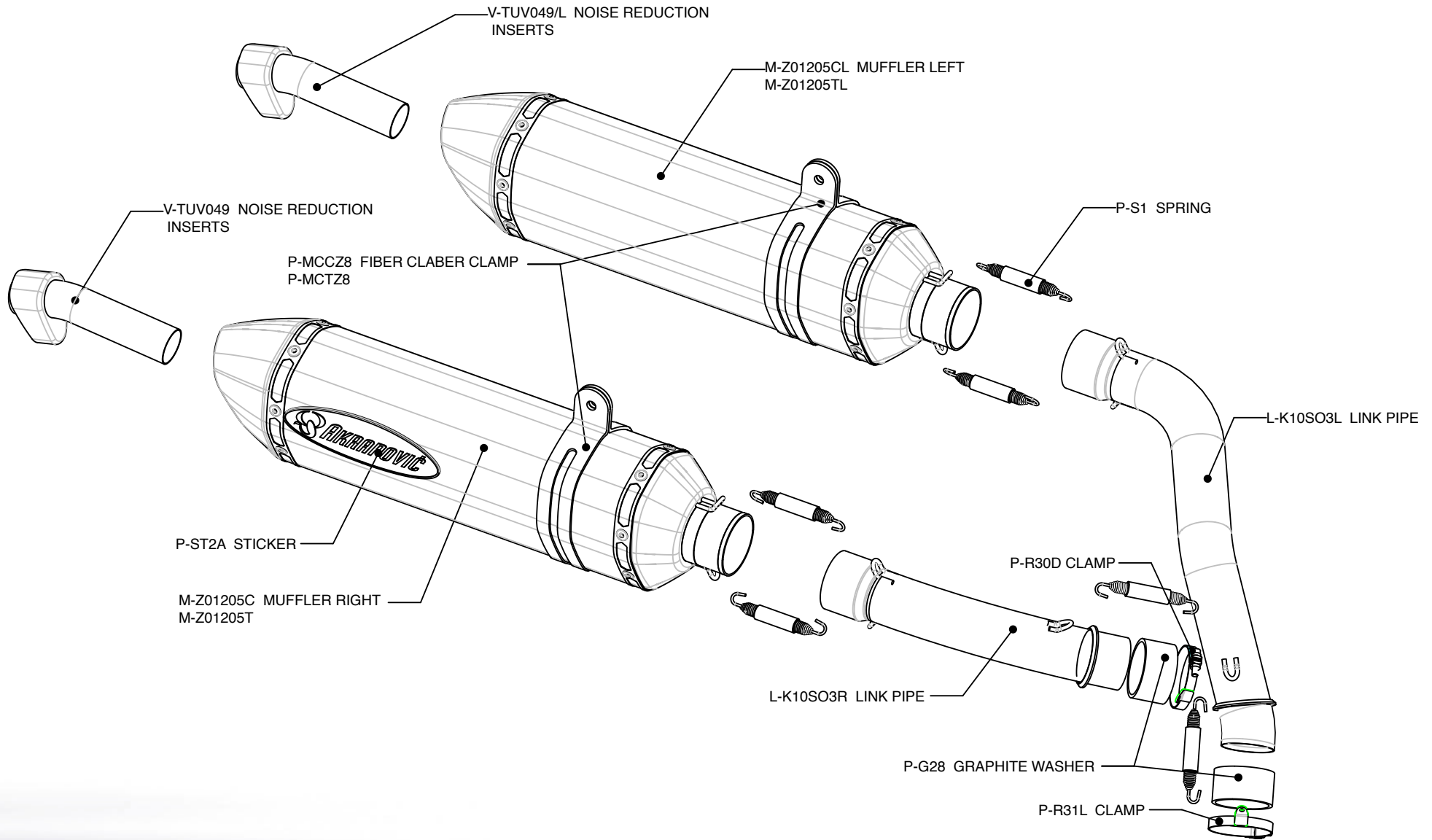


Akrapovic Exhaust System Technology copyright 2007, all rights reserved

Road Program

Product code: 108048 (S-K10SO3-ZC), 108047 (S-K10SO3-ZT) open
107880 (S-K10SO3C-HZC), 107727 (S-K10SO3C-HZT) street-legal

Akrapovic Slip-On Open/Street-Legal Exhaust System for the Kawasaki Z 1000 (2007)

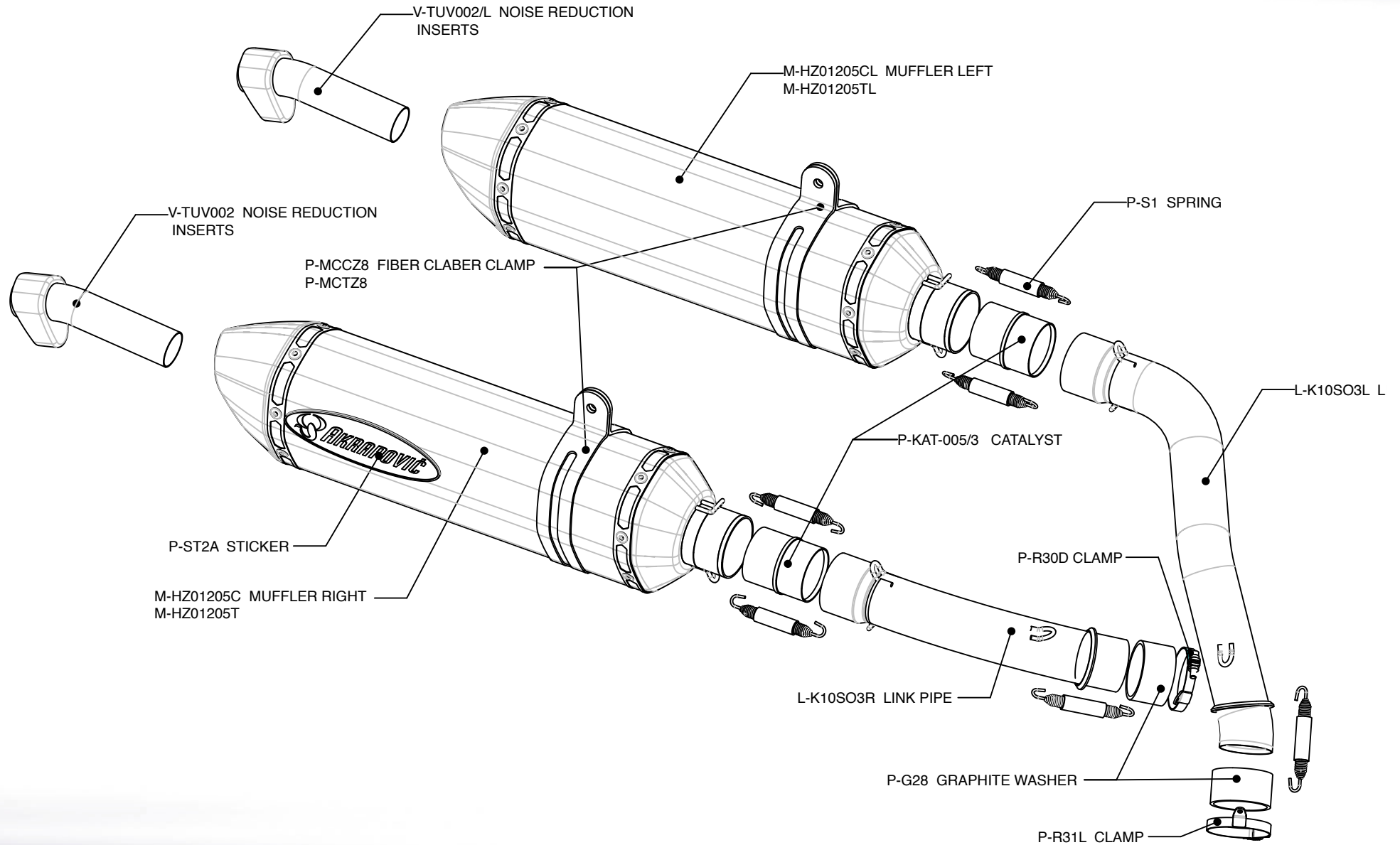


Akrapovic Exhaust System Technology copyright 2007, all rights reserved

Road Program

Product code: 108048 (S-K10SO3-ZC), 108047 (S-K10SO3-ZT) open
107880 (S-K10SO3C-HZC), 107727 (S-K10SO3C-HZT) street-legal

Akrapovic Slip-On Open/Street-Legal Exhaust System for the Kawasaki Z 1000 (2007)



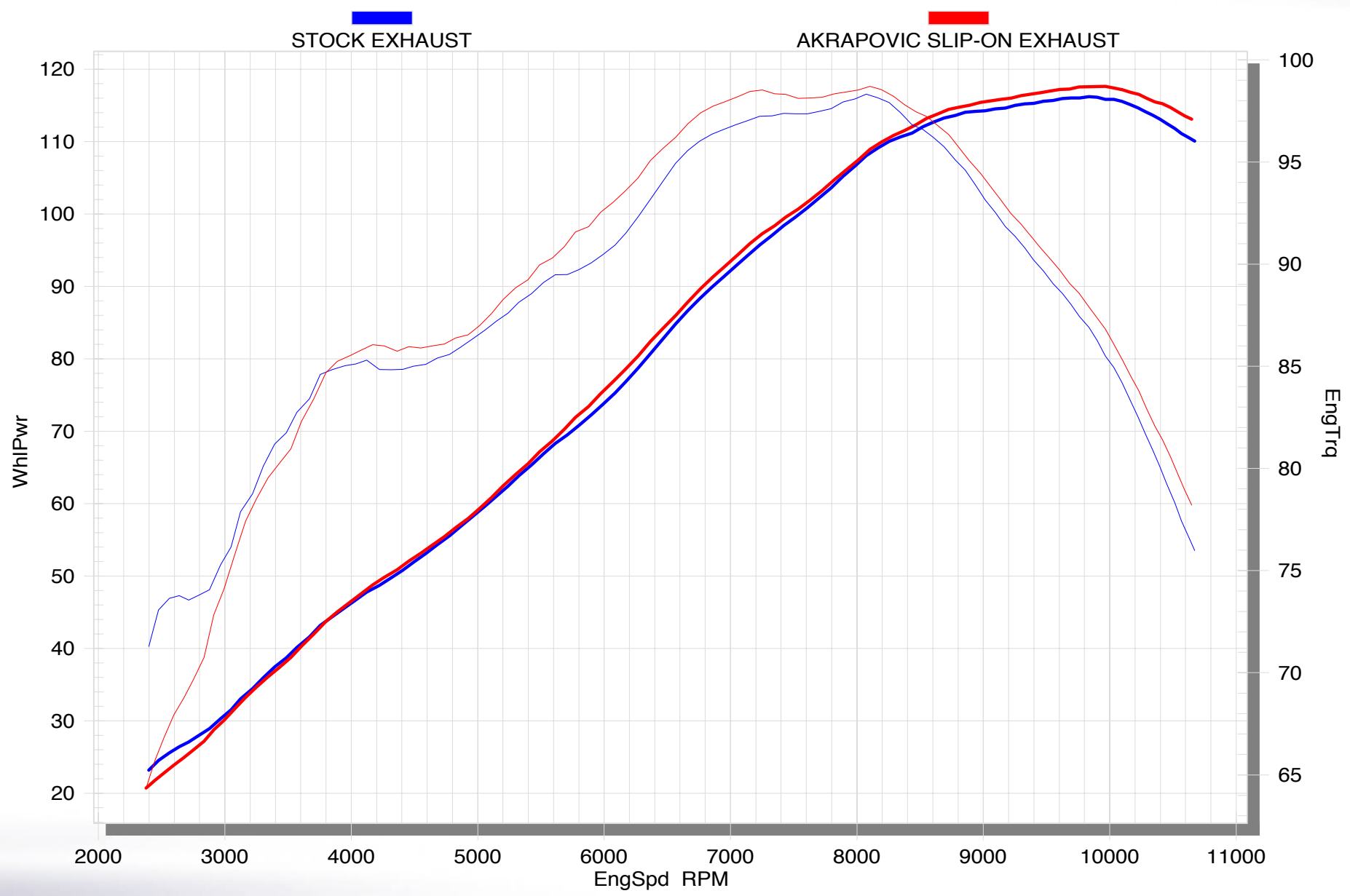
Akrapovic Exhaust System Technology copyright 2007, all rights reserved

Road Program

Product code: 108048 (S-K10SO3-ZC), 108047 (S-K10SO3-ZT) open
107880 (S-K10SO3C-HZC), 107727 (S-K10SO3C-HZT) street-legal



Akrapovic Slip-On Open/Street-Legal Exhaust System for the Kawasaki Z 1000 (2007)



Road Program

Product code: 108048 (S-K10SO3-ZC), 108047 (S-K10SO3-ZT) open
107880 (S-K10SO3C-HZC), 107727 (S-K10SO3C-HZT) street-legal



Akrapovic Exhaust System Technology copyright 2007, all rights reserved