



## Slip-On Line

Produkt-Code:

EC EPA CARB

**Slip-Ons represent the first step in the exhaust system tuning process, and they offer a great balance between price and performance. Change the nature of your bike by adding more power, improved performance, and the unique Akrapovič sound. Everything packed in stylishly designed Slip-On exhaust systems. The result of taking design very seriously is two different Slip-On exhaust systems. Choose a model with either a carbon fibre muffler outer sleeve or titanium one. All Slip-Ons come with a carbon fibre end cap. Race-proven materials. Slip-On systems are compatible with Kawasaki side cases.**

It's not just about peak power—Akrapovič exhaust systems deliver increased performance throughout the entire rpm range. Increased power and torque result in a much smoother ride. All Akrapovič exhaust system measurements are made on our computer-controlled flowbenches.

<b>TECH. DATEN</b>	<b>EINHEIT</b>	<b>ORIGINAL</b>	<b>AKRAPOVIČ</b>	<b>MAX. WERTE</b>
<b>Maximale Leistung</b>	<b>kW</b>	94.9 bei 10150 rpm	96.5 bei 10400 rpm	+ 1.7 bei 10100 rpm
	<b>PS (m)</b>	129 bei 10150 rpm	131.2 bei 10400 rpm	+ 2.3 bei 10100 rpm
	<b>PS (i)</b>	127.2 bei 10150 rpm	129.4 bei 10400 rpm	+ 2.3 bei 10100 rpm
<b>Maximales Drehmoment</b>	<b>Nm</b>	103.9 bei 7700 rpm	106 bei 7650 rpm	+ 2.2 bei 7600 rpm
	<b>lb-ft</b>	76.6 bei 7700 rpm	78.2 bei 7650 rpm	+ 1.6 bei 7600 rpm
<b>Gewicht</b>	<b>kg</b>	7.4	3.2	- 4.2
	<b>lb</b>	16.3	7.1	- 9.3
<b>Statische Geräuschpegel</b>	<b>dB</b>	94	94	0
	<b>rpm</b>	5000	5000	0

gemessen mit: Kawasaki Z1000SX 2014

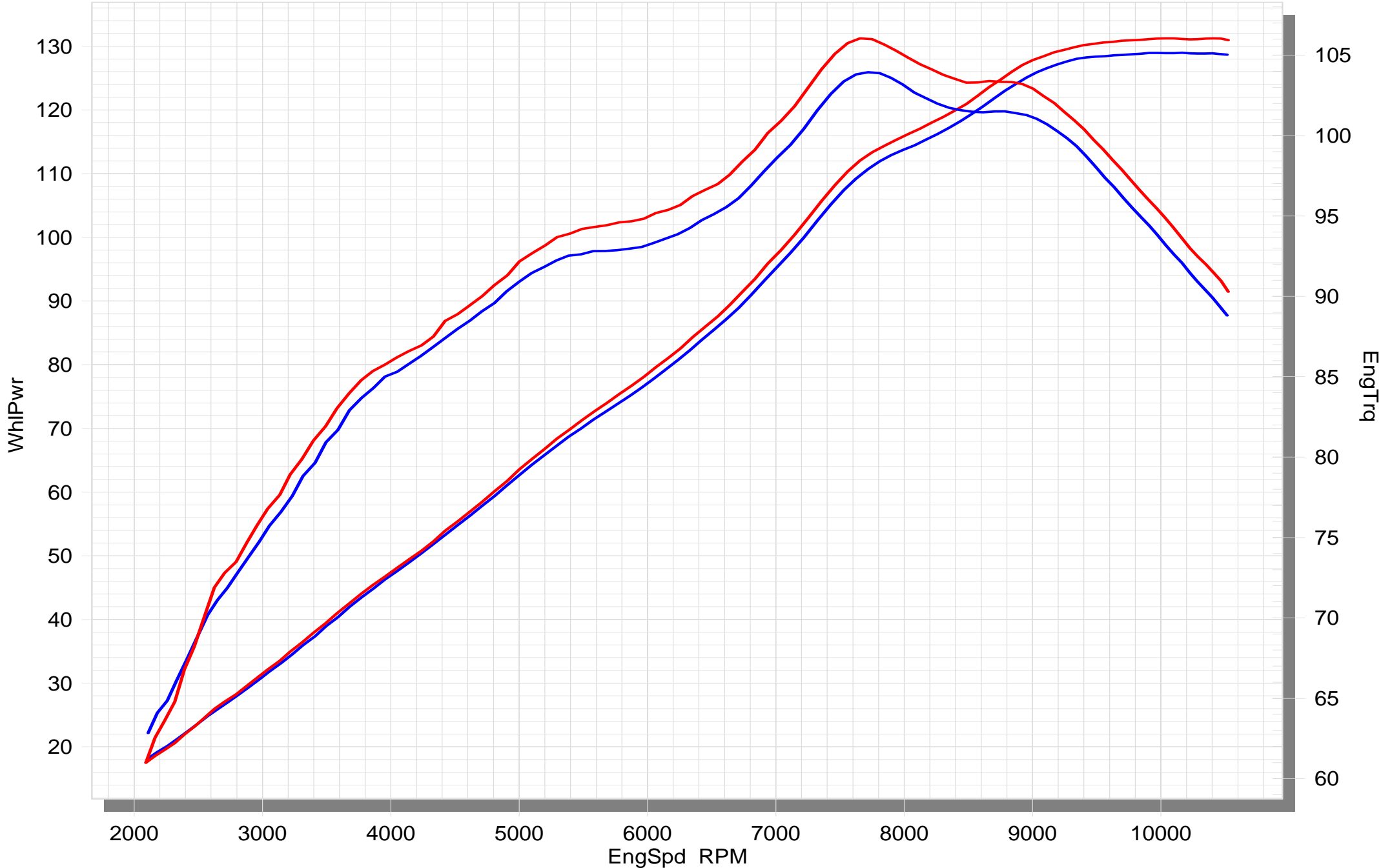
## Optionale Teile

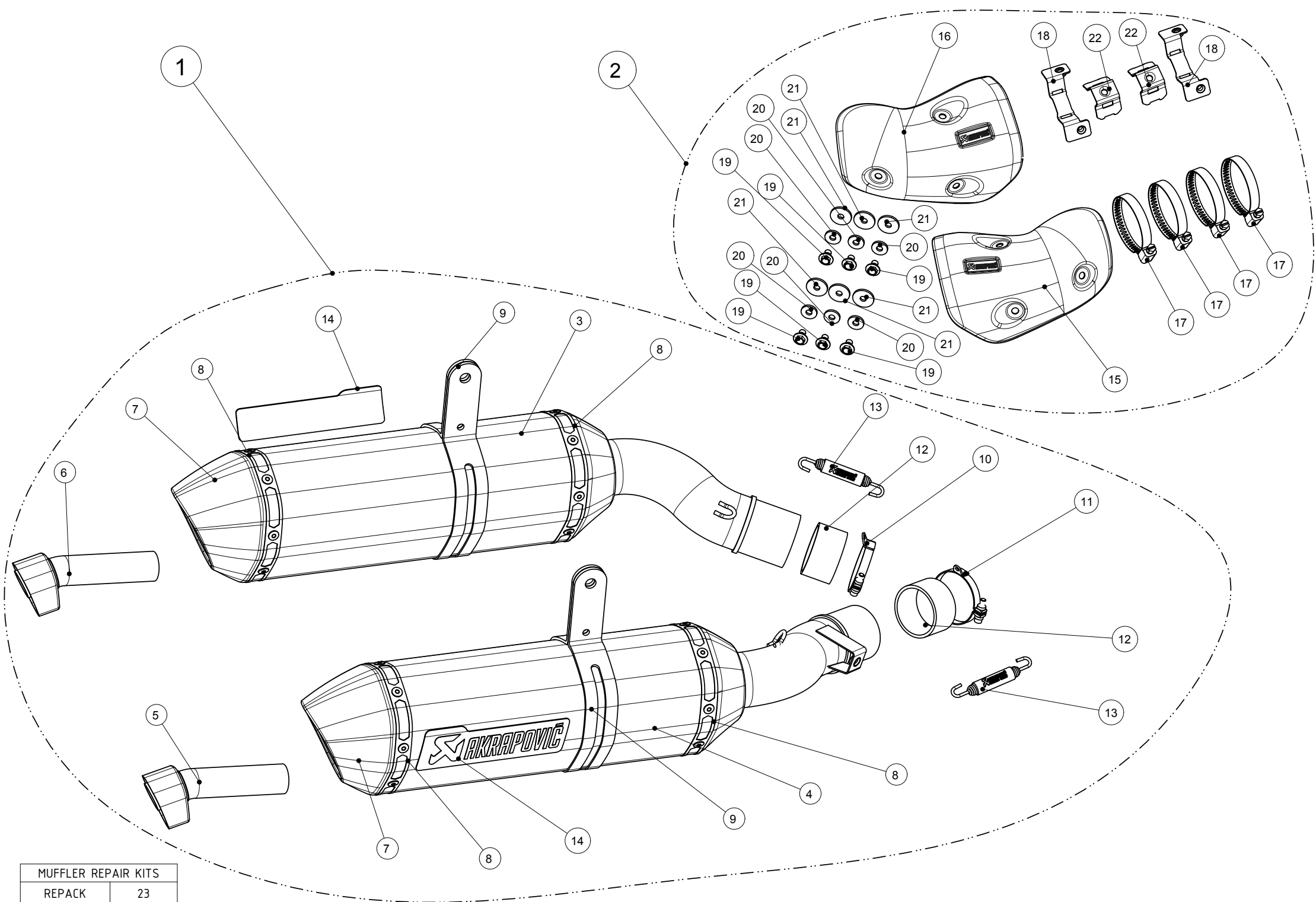
Produkt-Code: **Optional Header (SS)**Produkt name: **E-K10R4**

# KAWASAKI Z1000SX

STOCK

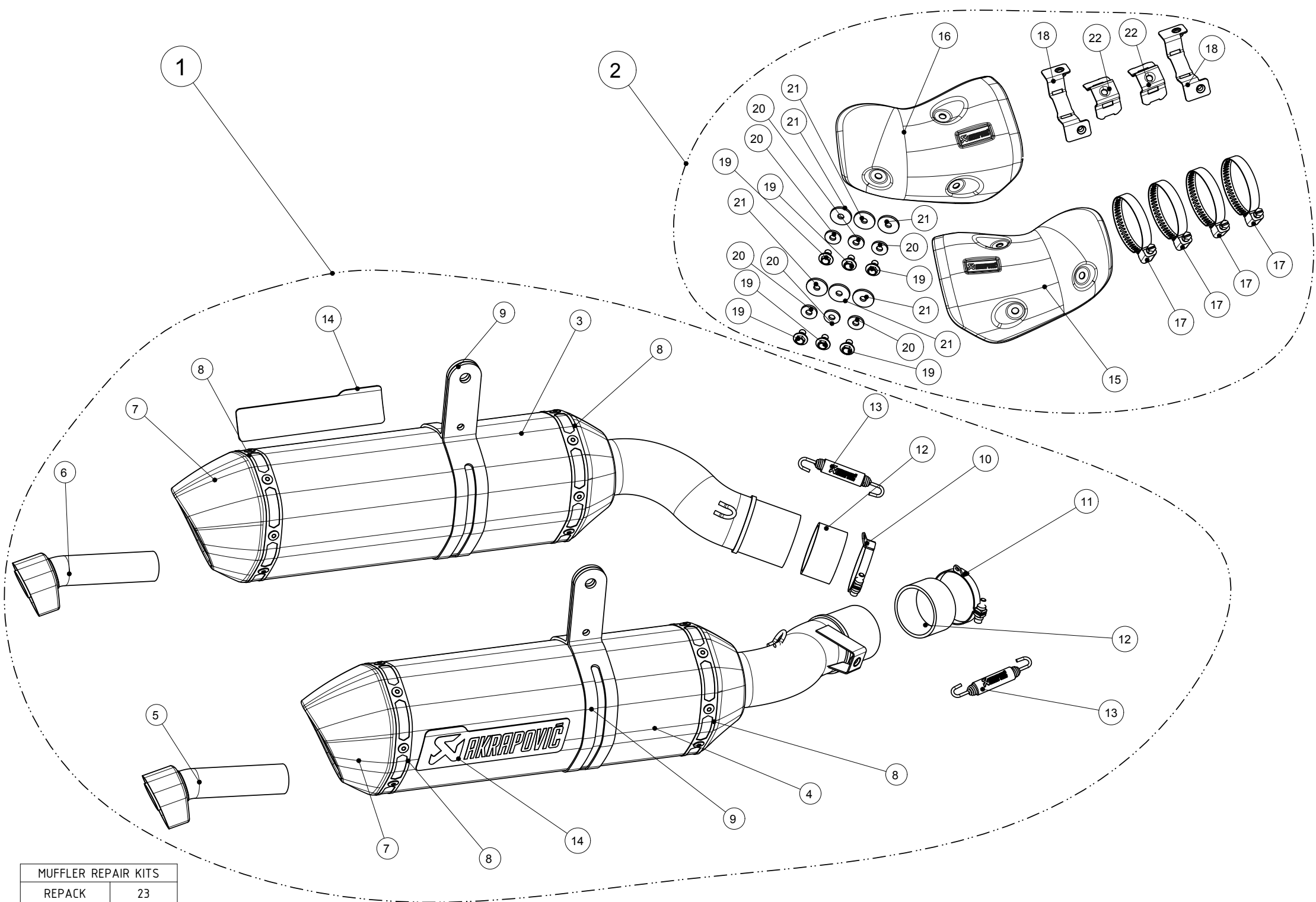
SLIP-ON





MUFFLER REPAIR KITS	
REPACK	23
SLEEVE	24

No.	SALES CODE	DESCRIPTION	QTY.
1	S-K10SO9-HZT	slip on system	1
2	P-HSK10R5	heat shield CA	1
3	M-HZ04202TL/2	muffler L TI	1
4	M-HZ04202T/2	muffler R TI	1
5	V-TUV052	insert SS	1
6	V-TUV052L	insert SS	1
7	V-EC27	end cap	2
8	P-TT18	belt TI for TI sleeve	4
9	P-MCTZ38	muffler clamp	2
10	P-R29L	clamp SS	1
11	P-R29D	clamp SS	1
12	P-G28	seal graphite	2
13	P-S1/2	spring	2
14	P-HST6AL	sticker	2
15	P-HSK10R5R	heat shield - right	1
16	P-HSK10R5L	heat shield - left	1
17	P-R30	clamp SS	4
18	P-X131	bracket SS	2
19	P-FB50	bolt	6
20	P-DRH4/BAR316	heat resistant washer	6
21	P-DRH1/BAR316	heat resistant washer	6
22	P-X89	clamp SS	2
23	P-RPCK99	muffler repack kit	1
24	P-RKS287ZT30	muffler sleeve kit	1



MUFFLER REPAIR KITS	
REPACK	23
SLEEVE	24

No.	SALES CODE	DESCRIPTION	QTY.
1	S-K10SO9-HZC	slip on system	1
2	P-HSK10R5	heat shield CA	1
3	M-HZ04202CL/2	muffler L CA	1
4	M-HZ04202C/2	muffler R CA	1
5	V-TUV052	insert SS	1
6	V-TUV052L	insert SS	1
7	V-EC26	end cap CA	2
8	P-TT19	belt TI for CA sleeve	4
9	P-MCCZ38	muffler clamp	2
10	P-R29L	clamp SS	1
11	P-R29D	clamp SS	1
12	P-G28	seal graphite	2
13	P-S1/2	spring	2
14	P-HST6AL	sticker	2
15	P-HSK10R5R	heat shield - right	1
16	P-HSK10R5L	heat shield - left	1
17	P-R30	clamp SS	4
18	P-X131	bracket SS	2
19	P-FB50	bolt	6
20	P-DRH4/BAR316	heat resistant washer	6
21	P-DRH1/BAR316	heat resistant washer	6
22	P-X89	clamp SS	2
23	P-RPCK99	muffler repack kit	1
24	P-RKS286ZC30	muffler sleeve kit	1