



Slip-On Line (Carbon)

Produkt-Code: **S-Y10SO10-HZC** 

Our sporty and lightweight SLIP-ON systems offer a great balance between price and performance and represent the first step in the exhaust system tuning process. The change will be also visual as our HEXAGONAL mufflers perfectly fit the exterior line of the R1 and add a clean racing image.

The muffler outer sleeve is made of titanium or carbon-fiber, which gives a special hi-tech touch to our SLIP-ON system. We offer EC Type approval version and open system for race track use only. **PERFORMANCE** Measurements of the Akrapovic SLIP-ON system on the YAMAHA YZF R1 (without muffler insert):

Power & Torque: the exhaust system modification with the SLIP-ON OPEN system results in a major boost in performance, delivering a massive 163.9 HP at 12410 rpm on back wheel. But the increased power isn't available just at the top of the range; the system shows its quality already from 5500 rpm up through entire rpm range. Max. increased power between the Akrapovic and the stock system is 2.4 HP at 12430 rpm. Besides this, the torque is substantially higher in a lower rpm area at 3000 rpm and from middle to high rpm area.

Combination with optional link pipe is not EC Type approval.

Optionale Teile

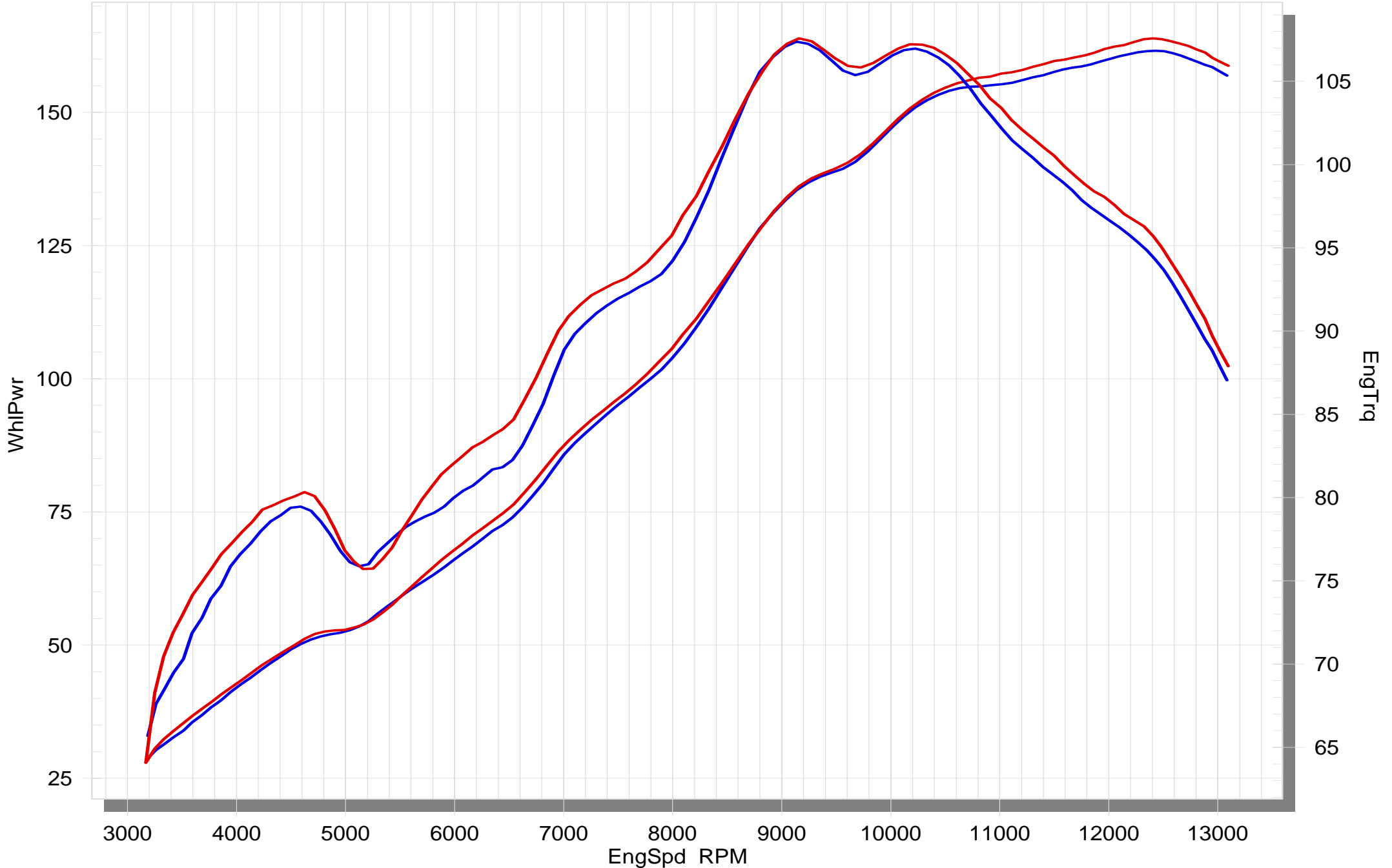
Produkt-Code: **Optional Link Pipe (Titanium)**

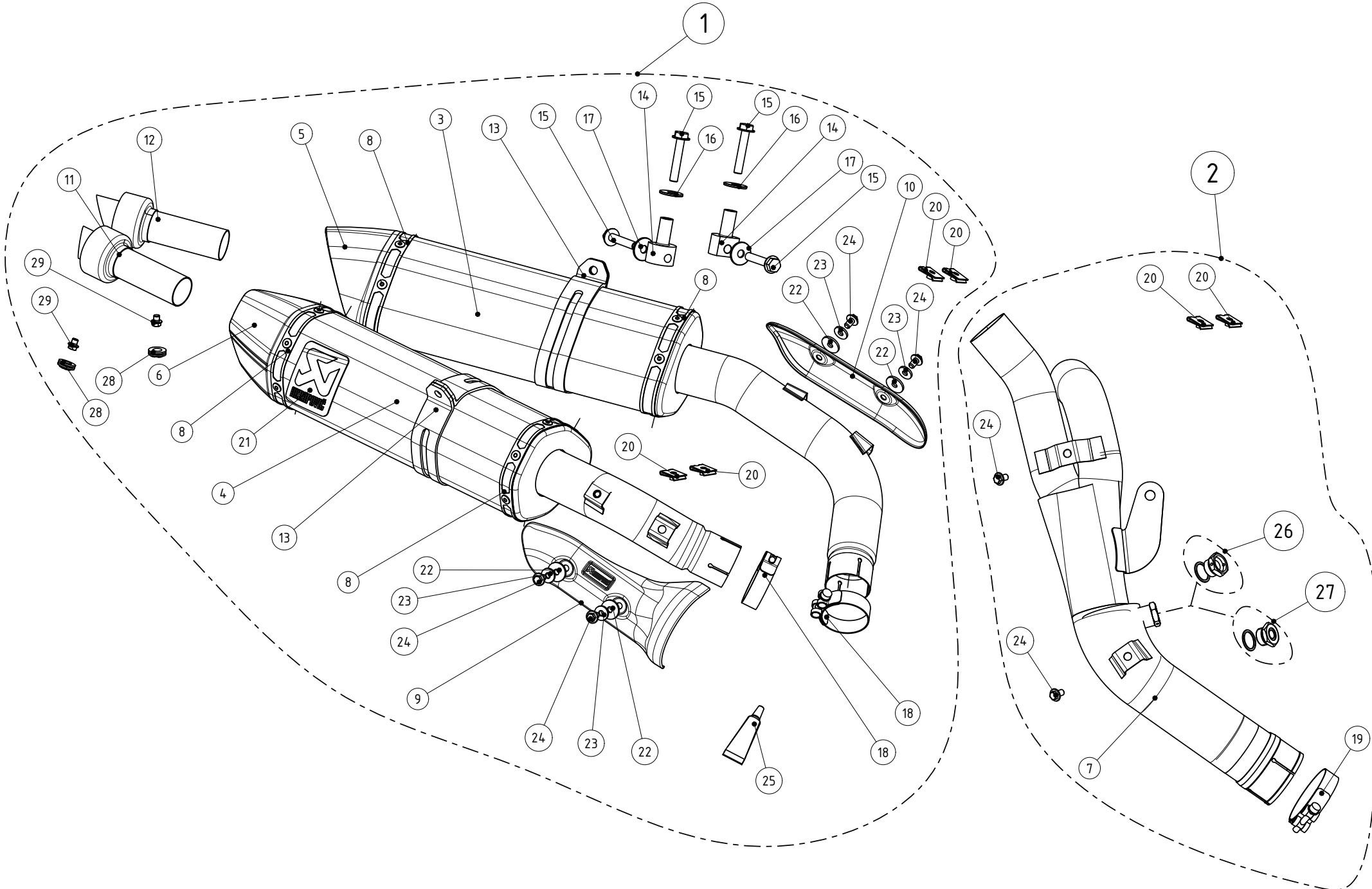
Produkt name: **L-Y10SO9L**

YAMAHA YZF R1 2009

STOCK EXHAUST

AKRAPOVIC SLIP-ON EXHAUST





MUFFLER REPAIR KITS	
REPACK	30
SLEEVE	31

No.	SALES CODE	DESCRIPTION	QTY.
1	S-Y10SO10-HZC	slip on system	1
2	L-Y10SO9L	link pipe TI	1
3	M-HZ03205CL/1	muffler CA	1
4	M-HZ03205C/1	muffler CA	1
5	V-EC108	end cap CA	1
6	V-EC109	end cap CA	1
7	L-Y10SO10L	link pipe Ti	1
8	P-TT19	belt TI for CA sleeve	2
9	P-HSY10R5R	heat shield CA	1
10	P-HSY10R5L	heat shield CA	1
11	V-TUV096	insert SS	1
12	V-TUV096L	insert SS	1
13	P-MCCZ19	muffler clamp CA	1
14	P-DR71	distance ring AL	2
15	P-FB45	bolt	4
16	P-DR4	washer SS	2
17	P-DR47	washer SS	2
18	P-R21	clamp SS	2
19	P-R42	clamp SS	1
20	P-FN2	nut	6
21	P-VST2AL	sticker	2
22	P-DRH1/BAR316	heat resistant washer	4
23	P-DRH4/BAR316	heat resistant washer	4
24	P-FB44	bolt	6
25	P-HF33	ceramic paste	1
26	P-HF348	lambda fitting kit M18	1
27	P-HF345	lambda fitting kit M18 to M10	1
28	P-FB28	bolt	2
29	P-GUV004	rubber insert	2
30	P-RPCK37	muffler repack kit	1
31	P-RKS250ZC32	muffler sleeve kit	1