



Slip-On Line (Carbon)

Produkt-Code: S-K10SO10-HZC **EC** **EPA** **CARB**

The dynamic, bold looking roadster offers a great tuning platform for motorcyclists who desire something special. Our sporty and lightweight SLIP-ON systems offer a great balance between price and performance and represent the first step in the exhaust system tuning process. The muffler outer sleeve is made of carbon-fiber, which gives a special hi-tech touch to our SLIP-ON system.

System does not fit with sidecases.

It's not just about peak power—Akrapovič exhaust systems deliver increased performance throughout the entire rpm range. Increased power and torque result in a much smoother ride. All Akrapovič exhaust system measurements are made on our computer-controlled flowbenches.

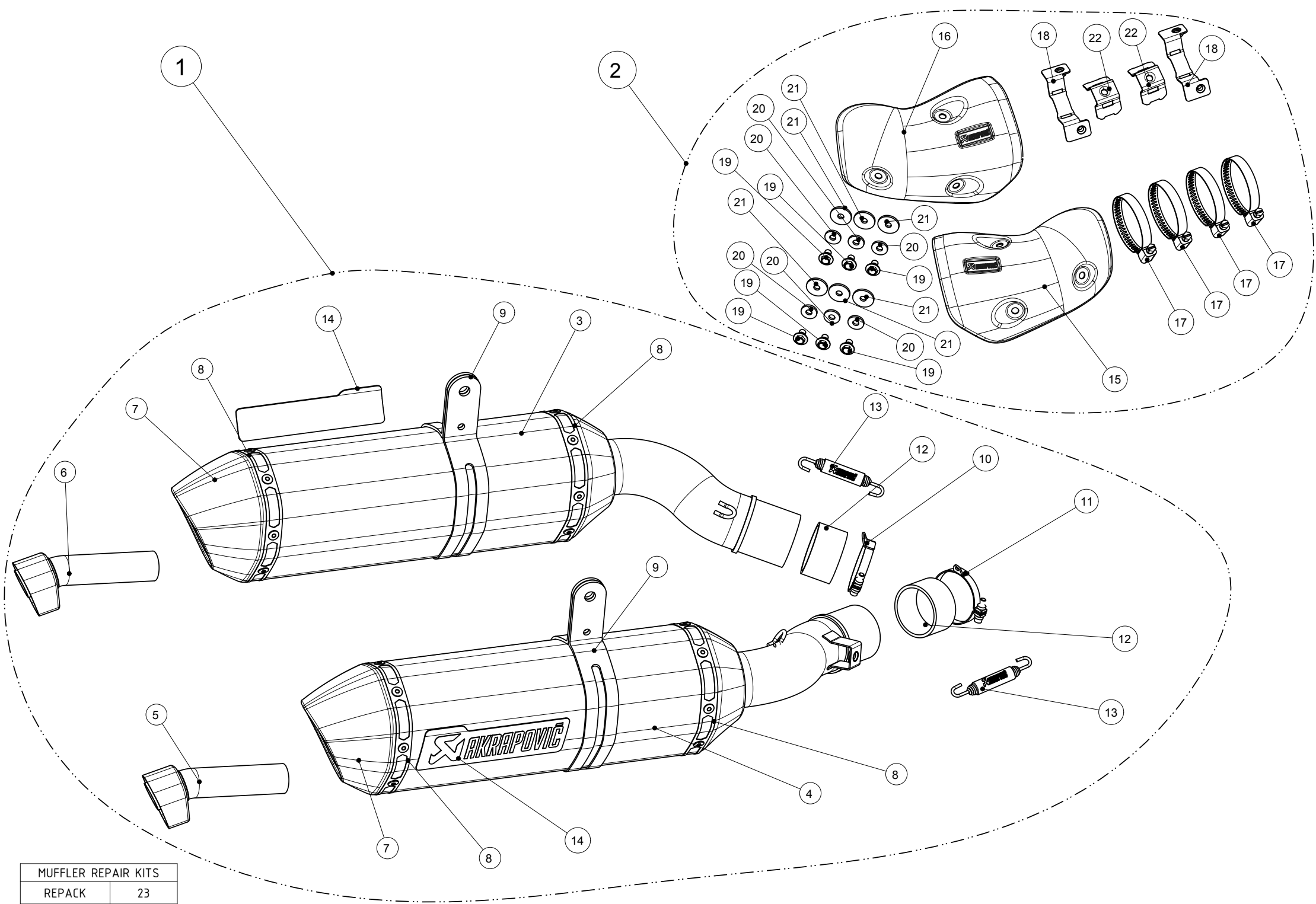
TECH. DATEN	EINHEIT	ORIGINAL	AKRAPOVIČ	MAX. WERTE
-------------	---------	----------	-----------	------------

Optionale Teile

Produkt-Code: Optional Header (SS)

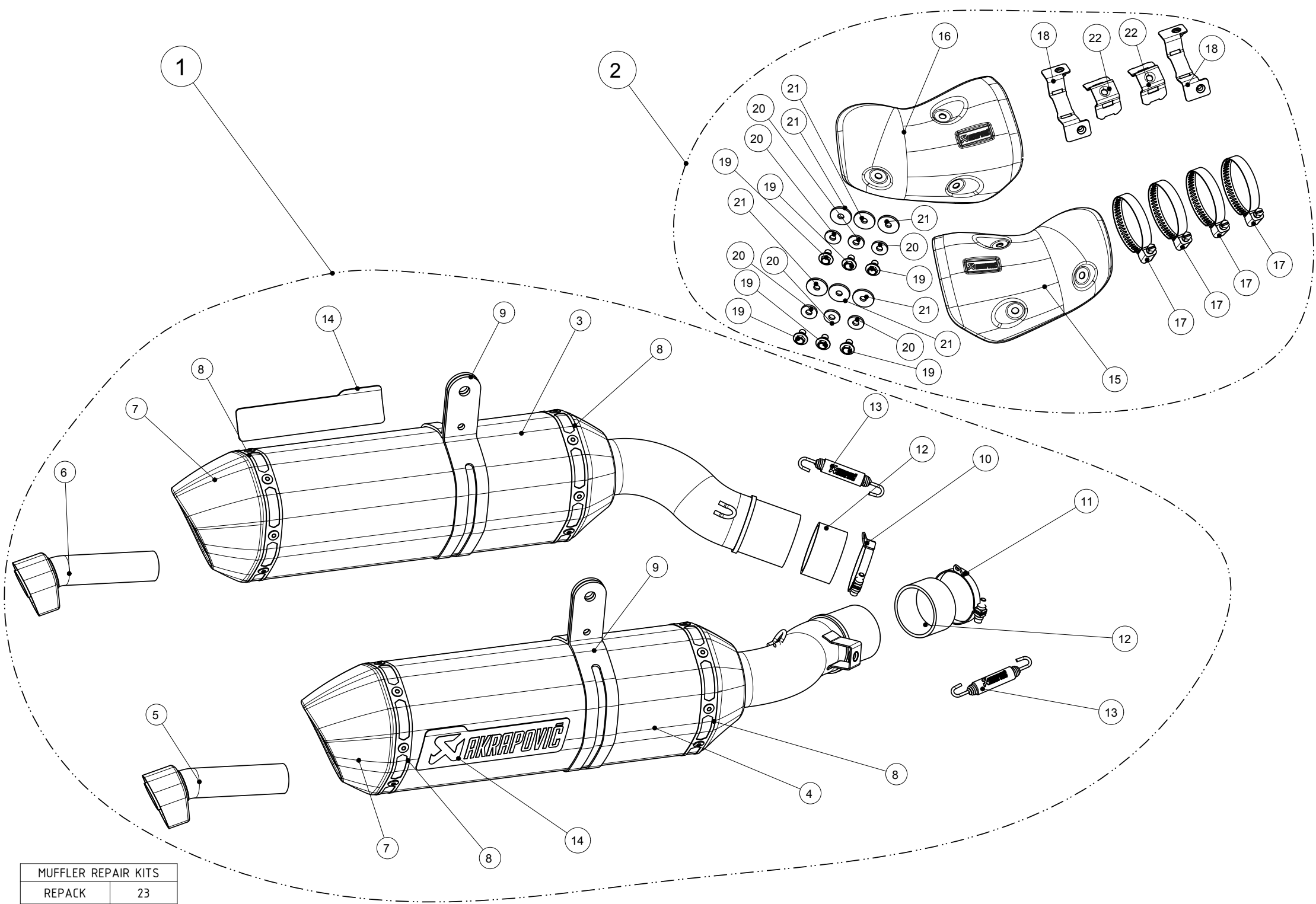
Produkt name: E-K10R4

Produkt-Code: **Heat shield set (Carbon)**
Produkt name: **P-HSK10R5**



MUFFLER REPAIR KITS	
REPACK	23
SLEEVE	24

No.	SALES CODE	DESCRIPTION	QTY.
1	S-K10SO10-HZT	slip on system	1
2	P-HSK10R5	heat shield CA	1
3	M-HZ04202TL/3	muffler L TI	1
4	M-HZ04202T/3	muffler R TI	1
5	V-TUV052	insert SS	1
6	V-TUV052L	insert SS	1
7	V-EC27	end cap	2
8	P-TT18	belt TI for TI sleeve	4
9	P-MCTZ26	muffler clamp	2
10	P-R29L	clamp SS	1
11	P-R29D	clamp SS	1
12	P-G28	seal graphite	2
13	P-S1/2	spring	2
14	P-HST6AL	sticker	2
15	P-HSK10R5R	heat shield - right	1
16	P-HSK10R5L	heat shield - left	1
17	P-R30	clamp SS	4
18	P-X131	bracket SS	2
19	P-FB50	bolt	6
20	P-DRH4/BAR316	heat resistant washer	6
21	P-DRH1/BAR316	heat resistant washer	6
22	P-X89	clamp SS	2
23	P-RPCK99	muffler repack kit	1
24	P-RKS287ZT30	muffler sleeve kit	1



MUFFLER REPAIR KITS	
REPACK	23
SLEEVE	24

No.	SALES CODE	DESCRIPTION	QTY.
1	S-K10SO10-HZC	slip on system	1
2	P-HSK10R5	heat shield CA	1
3	M-HZ04202CL/3	muffler L CA	1
4	M-HZ04202C/3	muffler R CA	1
5	V-TUV052	insert SS	1
6	V-TUV052L	insert SS	1
7	V-EC26	end cap CA	2
8	P-TT19	belt TI for CA sleeve	4
9	P-MCCZ26	muffler clamp	2
10	P-R29L	clamp SS	1
11	P-R29D	clamp SS	1
12	P-G28	seal graphite	2
13	P-S1/2	spring	2
14	P-HST6AL	sticker	2
15	P-HSK10R5R	heat shield - right	1
16	P-HSK10R5L	heat shield - left	1
17	P-R30	clamp SS	4
18	P-X131	bracket SS	2
19	P-FB50	bolt	6
20	P-DRH4/BAR316	heat resistant washer	6
21	P-DRH1/BAR316	heat resistant washer	6
22	P-X89	clamp SS	2
23	P-RPCK99	muffler repack kit	1
24	P-RKS286ZC30	muffler sleeve kit	1